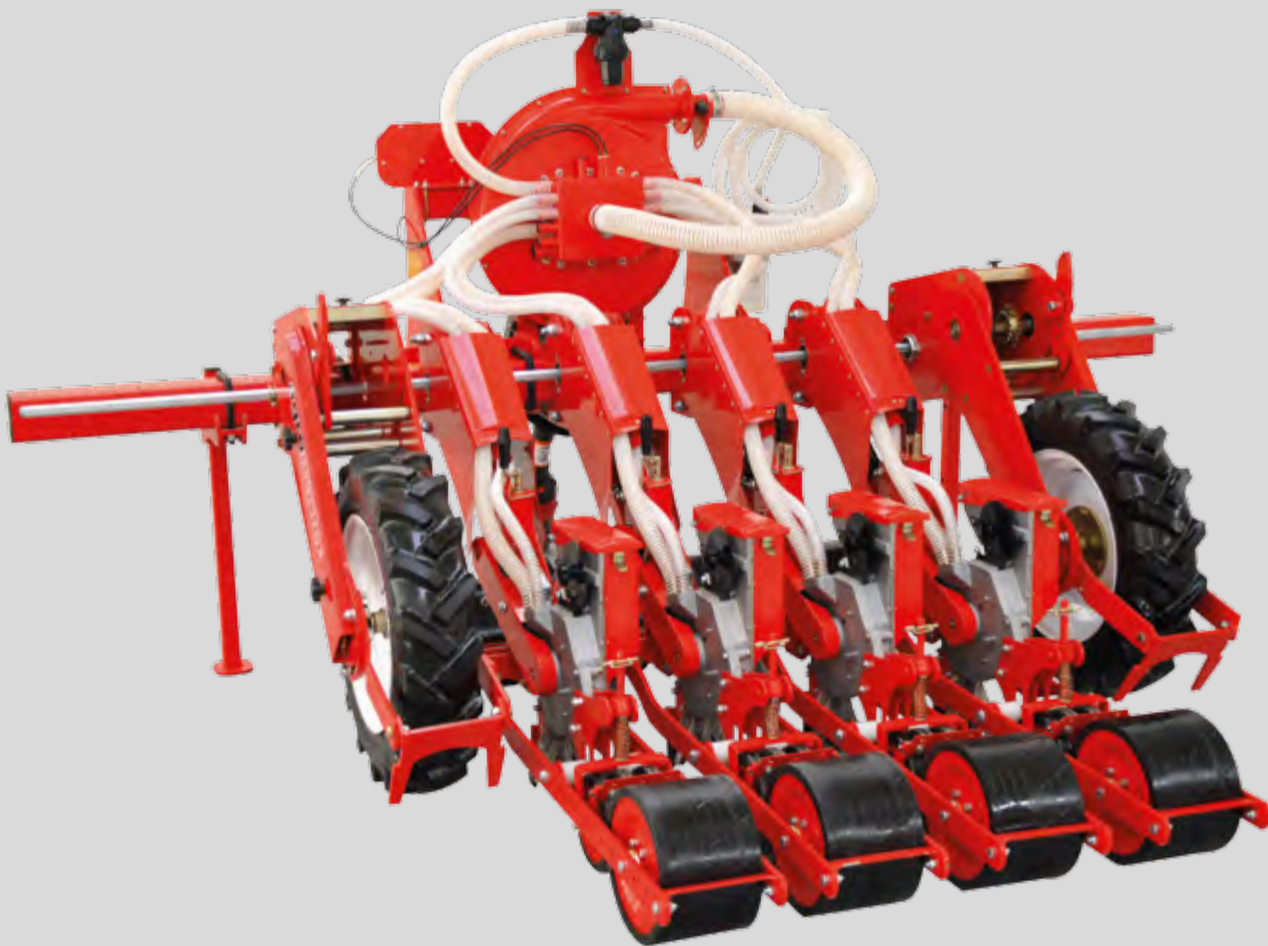




## VEGETABLE PLANTER

BERAT




**agromaster®**

**"We know the soil"**

[www.agromaster.com](http://www.agromaster.com)

## BERAT VEGETABLE PLANTER

 This pneumatic precision planter is a developed machine to meet the changing agricultural conditions and the competitive environment for the common needs of the vegetable manufacturers.

Pneumatic precision planter is especially designed for thin, small seeds. The planter is an ideal seed drill for manufacturing vegetables and plant with high performance and precision seeds like; Union plant, parsley, lettuce, dill, celery, asparagus, eggplant, tomato, pepper, cucumber, gherkin, leeks, okra, peas, soya bean, cabbage, brussels sprouts, cauliflower, leek, spinach, beet, radish, turnip, carrots, sesame, cumin, thyme, tulip, dandelion, daisy, clover, tobacco, black cumin, p.rhoeas, dianthus barbatus, krizanmtem, mustard, colchicum, etc. It is used for every kind of seeds whether coated or uncoated seeds.

Number of planter units increased or decreased according to demand between 2-4-5-6-8-10-12 rows.

Inter row spacing can be adjustable upon demanded range.

Usage and adjustment of the machine is very easy owing to its lightweight, solid chassis structure and compact fan design.

Effective planting dept control is provided by parallelogram wheel, special unit and the self-cleaning wheel system.

By means of special design double acting fan system minimum height of seed falling is provided and spaces between the rows are adjusted precisely. With a different airflow, holes of the seed plates are cleaned from the seed residues.

Calibration wheel placed in the unit arrange the falling of the seed and by means of this speciality the seed falls to the field one by one so seed wastage is minimized.

Owing to special discs and planter coulters which are placed to every unit, it is possible to plant as single, double or triple rows over one unit.

Pneumatic precision planter could be used for the ridge planting.



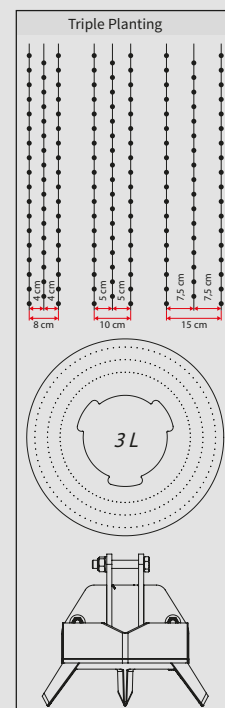
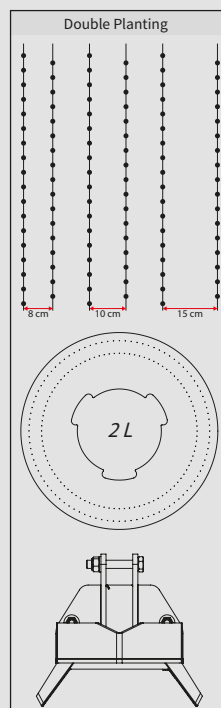
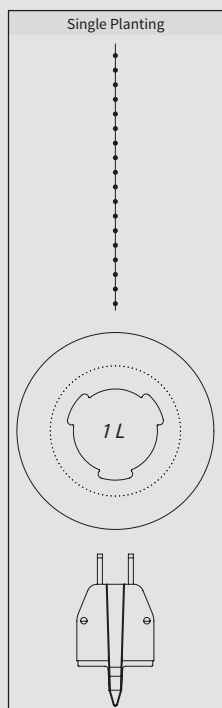
**BERAT**

**“We know the soil”**



## BERAT VEGETABLE PLANTER WITH MICROGRANULATOR

With an increasing amount of insects killing plants during growing and an increased need of microfertilizer, increases the need of microgranule applicators. Vegetable planters can be equipped with microgranule applicators. The hoppers are made of special grade plastics and have a capacity of 35 litres. The hoppers supply 2 planting units.



Owing to special discs and planter coulters which are placed to every unit, it is possible to plant as single, double or triple rows over one unit.

**BERAT VEGETABLE PLANTER WITH DRIP HOSE APPLICATOR**





Through multi-speed transmission, is possible to sow in 32 speed positions.



While sowing on the high density of plants (Onion, Carrot, etc.) with the changeable corrugated soles is possible to make dual and triple sowing.



The hydraulic marker assembly for a straight sowing.



With an increasing amount of insects killing plants during growing and an increased need of microfertilizer, increases the need of microgranule applicators. Vegetable planters can be equipped with microgranule applicators. The hoppers are made of special grade plastics and have a capacity of 35 litres. The hoppers supply 2 planting units.



Seeding depth adjustment



Through special fan is possible to sowing every type of seeds. The setup able Sowing plates is cleaning with compressed air blowing system from remnants seeds. On the fan is vacuum and air pressure indicator extant.



Easy to discharge seed from hopper after using the machine by vacuum operated collector.



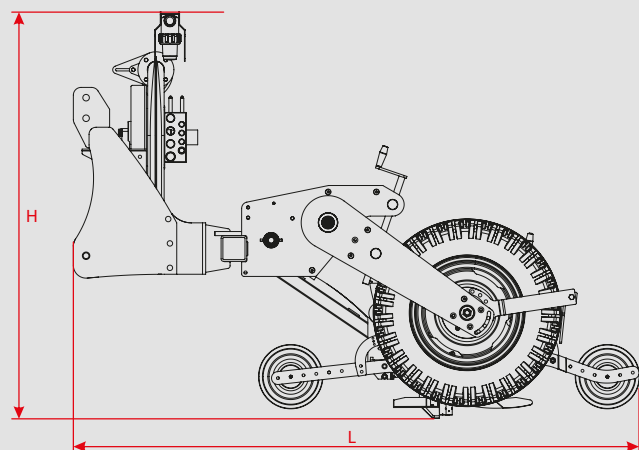
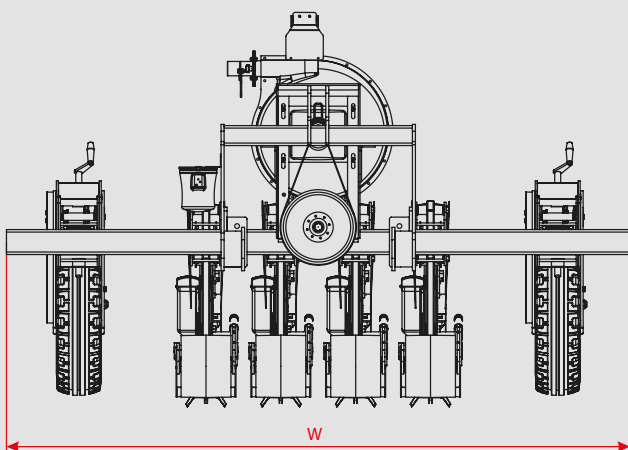
Cam disc singulator



Technical Specifications*	Unit	BERAT 4	BERAT 5	BERAT 6	BERAT 8	BERAT 10	BERAT 12
Number of Rows	pcs	4	5	6	8	10	12
Total Width (W)	mm	2500-3000	2500-3000	3000	3500	4000	4000
	ft.in.	8'2"-9'10"	8'2"-9'10"	9'10"	11'6"	13'2"	13'2"
Total Length (L)	mm	2150	2150	2150	2150	2150	2150
	ft.in.	7'	7'	7'	7'	7'	7'
Total Height (H)	mm	1480	1480	1480	1480	1480	1480
	ft.in.	4'10"	4'10"	4'10"	4'10"	4'10"	4'10"
Total Height with Microgranulator	mm	1660	1660	1660	1660	1660	1660
	ft.in.	5'5"	5'5"	5'5"	5'5"	5'5"	5'5"
Space between of Rows (min)	cm	260	260	260	260	260	260
	ft.in.	10"	10"	10"	10"	10"	10"
Planter Coulter Width (Min)	cm	8-10-13-15	8-10-13-15	8-10-13-15	8-10-13-15	8-10-13-15	8-10-13-15
	ft.in.	3"-4"-5"-6"	3"-4"-5"-6"	3"-4"-5"-6"	3"-4"-5"-6"	3"-4"-5"-6"	3"-4"-5"-6"
Seed Hopper Volume	L	2x4	2x5	2x6	2x8	2x10	2x12
	gallon						
PTO Rotation	rpm	540					
Required Power	hp	35-80	35-80	35-80	35-80	35-80	35-80
Total Weight	kg	675	770	855	1065	1290	1510
	lbs	1488	1697	1884	2347	2843	3328
Weight with Microgranulator	kg	770	865	1000	1255	1480	1800
	lbs	1697	1906	2204	2766	3262	3968

1 inch = 25,4 mm - 1 inch = 0,083 feet (foot) - 1 feet (foot) = 12 inch

\* Manufacturer reserves rights to change them without notice. / \* Производитель оставляет за собой право изменять их без уведомления.





**agromaster®**



🏠 Buyukkayacik Mahallesi Org. San. Bolgesi Evrenkoy Cad. No:32 • Selcuklu/Konya/TURKEY

☎ +90 332 235 64 23

✉ info@agromaster.com

🌐 www.agromaster.com

Since  
**1962**

